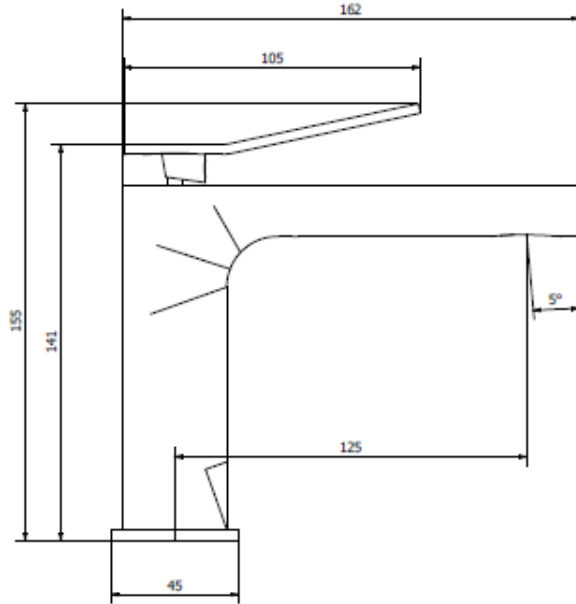




www.ibrubinetterie.it

WAVE  
WA200

Range  
Product



Product Description

Mono hole washbasin mixer with a 1-1/4" click-clack automatic pop-up waste, a zamak lever and the base integrated within the body as single-casted.

Available Finishings

Chrome	<input checked="" type="checkbox"/>	Glossy Black	<input checked="" type="checkbox"/>	PVD Gold	<input type="checkbox"/>	Copper	<input type="checkbox"/>
Brushed Nickel	<input checked="" type="checkbox"/>	Matt White	<input type="checkbox"/>	Gold	<input checked="" type="checkbox"/>	Bronze	<input type="checkbox"/>
Glossy White	<input checked="" type="checkbox"/>	Matt Black	<input type="checkbox"/>	Rose Gold	<input checked="" type="checkbox"/>	YO - Your Own	<input checked="" type="checkbox"/>

Tech Specifications

iB Standard	Possible Alternative
-------------	----------------------

Cartridge	iB 25 mms Ceramic Discs Cartridge	Flow Restrictions – See below
Wall Hoses	Flexible Inox 3/8", 450 mms long	Flexible Inox 1/2", 450 mms long Copper Tails PEX Pipes  Different lengths available on request
Aerator	M 24x1	

Flow Rate  
(+/- 10%)

1 BAR	7 l/m
2 BAR	10 l/m
3 BAR	12.5 l/m

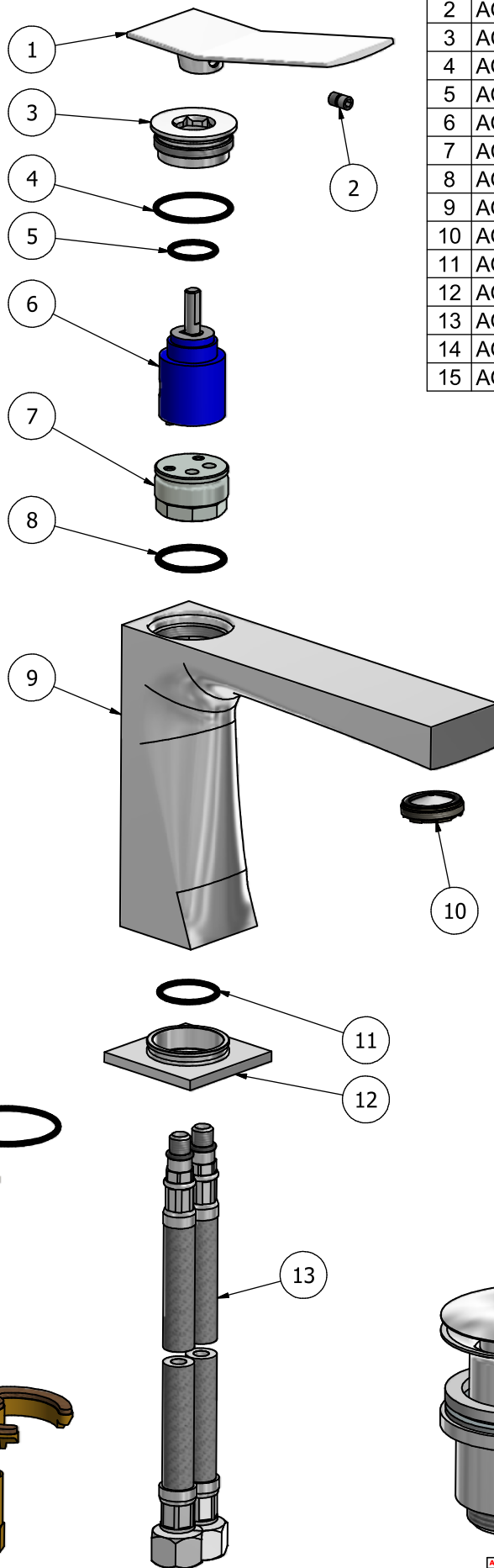
Changing aerator or adding flow restrictors in the hoses, the following range of TOP flow rates can be achieved	2,0 l/m
	4,0 l/m
	6,0 l/m
	8,0 l/m
	9,0 l/m
	10,0 l/m
	12,0 l/m

Material  
Brass  
According to CUZN35PB2AL-B(CB752S)  
Max Lead content: 1,6%

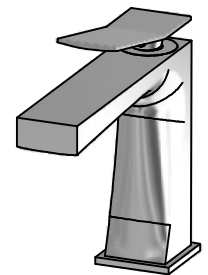
Production  
Main body is a single casted piece



info@ibrubinetterie.it  
 p.iva 01785230986  
 capitale sociale €420.000,00 i.v.  
 T +39.030.802101  
 F +39.030.803097  
 iB Rubinetterie SpA  
 via dei pianotti, 3/5 - 25068 sarezzo (bs) - Italy



Elenco parti			
EL	CODICE	NUMERO DI MAGAZZINO	QT
1	AQ0013547	Zamak handle 37x105x3.5	1
2	AQ0013747	Inox screw M5x5 Ø5	1
3	AC0010893	Cartridge fixing nut Ø32,8 H.13,5	1
4	AQ0010564	OR 26.7x1.78 NBR 70 SH	1
5	AQ0004600	OR 15.6x1.78 NBR 70 SH	1
6	AQ0013479	Ceramic cartridge K25 OP I (P4)	1
7	AC0010810	Connection piece Ø27X18	1
8	AQ0010972	OR 23x2 NBR 70 SH	1
9	AQ0013772	Basin body 37x37x122x162	1
10	AQ0012140	Perlator NP slim M24x1	1
11	AQ0001400	OR 20.35x1.78 NBR 70 SH	1
12	AQ0013602	Basin base 45x45x8.5 zamack	1
13	AQ0011013	Inox hose G3/8" M8x1 L450	2
14	AQ0010505	Fixing set	1
15	AQ0009837	Simple rapid waste 1"1/4	1



A termini di legge questo disegno non può essere riprodotto senza la nostra autorizzazione

 www.ibrubinerie.it Via del Pianotti 3/5 25068 Sarezzo - BRESCIA tel. 030802101 fax. 030803097 www.ibrubinerie.it	Tolleranze generali		Peso	Scala	Formato	
	±0.1			1:2	ISO A3	
	Materiale					
	Disegnatore	Data creazione	Approvato da	Approvato il		
Vivenzi M. 02/05/2011						
Denominazione					Codice	
Esploso lavabo Wave					KWA200CCXN_1	