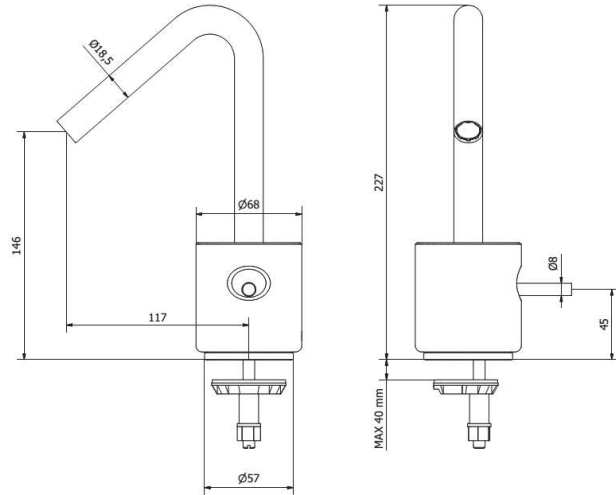




www.ibrubinetterie.it

MARMO
MR200_1

Range
Product



Product Description

Single hole installation washbasin complete with 1-1/4" click-clack automatic pop-up waste, base made of white marble integrated within the body as single-casted and a metal joystick lever.

Available Finishings

Chrome	<input checked="" type="checkbox"/>	Glossy Black	<input type="checkbox"/>	PVD Gold	<input type="checkbox"/>	Copper	<input type="checkbox"/>
Brushed Nickel	<input checked="" type="checkbox"/>	Matt White	<input checked="" type="checkbox"/>	Gold	<input checked="" type="checkbox"/>	Bronze	<input type="checkbox"/>
Glossy White	<input type="checkbox"/>	Matt Black	<input checked="" type="checkbox"/>	Rose Gold	<input checked="" type="checkbox"/>	YO - Your Own	<input checked="" type="checkbox"/>

Tech Specifications

iB Standard	Possible Alternative
-------------	----------------------

Cartridge	iB 25 mms Ceramic Discs Cartridge	Flow Restriction – See below
Wall Hoses	Flexible Inox 3/8", 400 mms long	Flexible Inox 1/2", 400 mms long Copper Tails PEX Pipes
Aerator	M 16,5X1	Different lengths available on request

Flow Rate
(+/- 10%)

1 BAR	4,2 l/m
2 BAR	5,7 l/m
3 BAR	6 l/m

Changing aerator, cartridge or adding flow restrictors in the hoses, the following TOP flow rates can be achieved	3,0 l/m
	3,5 l/m
	4,0 l/m
	4,5 l/m
	5,0 l/m
	6,0 l/m

Material
Brass
According to CUZN35PB2AL-B(CB752S)
Max Lead content: 1,6%

Production
Main body is a single casted piece



IB Rubinetterie SpA
via dei pianotti, 3/5 - 25068 sarezzo (bs) - Italy
T +39 030 802101 F +39 030 803097
p.iva 01785230986 capitale sociale € 420.000,00 i.v. info@ibrubinetterie.it