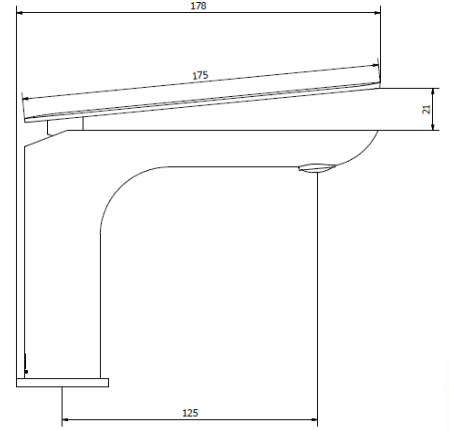
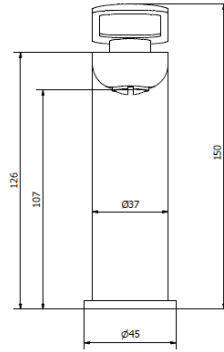




www.ibrubinetterie.it

KH-02
K2200

Range
Product



Product Description

Mono hole washbasin mixer with 1-1/4" click-clack automatic pop-up waste, base integrated within the body as single-casted and metal lever.

Available Finishings

Chrome	<input checked="" type="checkbox"/>	Glossy Black	<input type="checkbox"/>	PVD Gold	<input type="checkbox"/>	Copper	<input type="checkbox"/>
Brushed Nickel	<input checked="" type="checkbox"/>	Matt White	<input type="checkbox"/>	Gold	<input type="checkbox"/>	Bronze	<input type="checkbox"/>
Glossy White	<input type="checkbox"/>	Matt Black	<input type="checkbox"/>	Rose Gold	<input checked="" type="checkbox"/>	YO - Your Own	<input checked="" type="checkbox"/>

Tech Specifications

iB Standard	Possible Alternative
-------------	----------------------

Cartridge iB 25 mms Ceramic Discs Cartridge Flow Restrictions – See below

Wall Hoses Flexible Inox 3/8", 450 mms long Flexible Inox 1/2", 450 mms long
Copper Tails
PEX Pipes

Different lenghts available on request

Aerator M 24X1

Flow Rate
(+/- 10%)

1 BAR	3.5 l/m
2 BAR	4.8 l/m
3 BAR	5.2 l/m

Changing aerator or adding flow restrictors in the hoses, the following range of TOP flow rates can be achieved	0,5 l/m
	1,0 l/m
	1,5 l/m
	2,0 l/m
	3,0 l/m
	4,0 l/m
5,0 l/m	

Material Brass
According to CUZN35PB2AL-B(CB752S)
Max Lead content: 1,6%

Production Main body is a single casted piece



info@ibrubinetterie.it
p.iva 01785230986
capitale sociale €420.000,00 i.v.
T +39.030.802101
F +39.030.803097
iB Rubinetterie SpA
via dei pianotti, 3/5 - 25068 sarezzo (bs) - Italy